



CATALOGUE FOR REVOLVING PUNCH PLIERS



Revolving Punch Pliers
(Black Powder Coated)



Product No	Length (MM)	Standard Packing In a Box	Standard Packing In a Carton	Finish
RPL/6/BL	200	5	30	Matte Black Powder Coated

Revolving Punch Pliers
(Black Powder Coated with Grip)



Product No	Length (MM)	Standard Packing In a Box	Standard Packing In a Carton	Finish
RPL/6/BL/G	200	5	30	Matte Black Powder Coated with RED Grip

Revolving Punch Pliers
 (Nickle Chrome with Cross Knurl Grip)



Product No	Length (MM)	Standard Packing In a Box	Standard Packing In a Carton	Finish
RPL/6/Cr	200	5	30	Nickle Chrome With Cross Knurl Grip

PROMAN

Heavy Duty 9” Revolving Punch Pliers
 (Powder Coated with Grip)



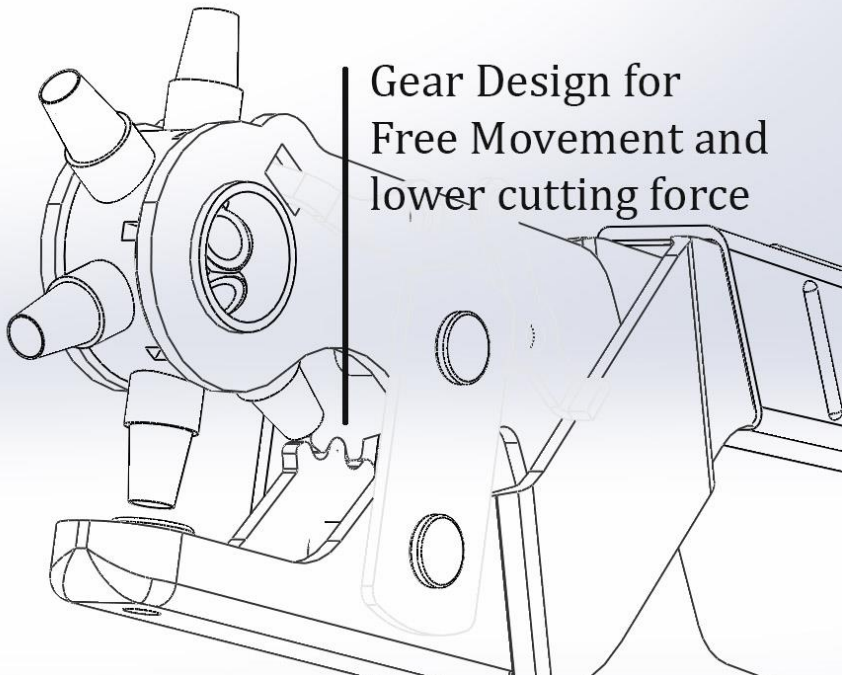
Product No	Length (MM)	Standard Packing In a Box	Standard Packing In a Carton	Finish
RPL/6/HD/G	230	5	30	Powder Coated with Grip



Product Detailed Information



- Our Punch pliers are made from high grade material ensuring best service life.
- With its 6 different punch sizes it comes out to be handy punch for various hole punching.
- 2.0mm – 2.5mm – 3.0mm – 3.5mm – 4.0mm – 4.5mm are the 6 punch sizes
- Auto Lock opening Design
- Hardened Punches for Best Life
- Knurl/Grip on handles available for perfect Grip



About Us..

The Company Techno Industry Started in 2010 with its aim to serve the best quality products. After understanding the needs of market and skilled craftsman the company started to serve its quality products under its brand name ProMan in 2022.

By continuously improving the manufacturing technology to keep up with the national and international standards we make sure that our product lasts longer and durable. Our goal is to pursuit excellence in the organization through systematic procedures & techniques of creativity for continuous improvement.

The Company has its plant situated in Faridabad with all latest and finest machines lead by young enthusiast engineers and R&D team, using CAD design to ensure a product best quality from its Inception to its Reality.

The logo for ProMan, featuring the word "PROMAN" in a large, bold, sans-serif font. The letters are light gray. Behind the text is a large, stylized graphic of a pair of pliers, with the handles in light blue and the jaws in light purple.

TECHNO INDUSTRY

Plot no 30 Industrial Area NIT Faridabad, Haryana

121001

Email: ToolsProMan@gmail.com

Web: www.ProManTools.com